

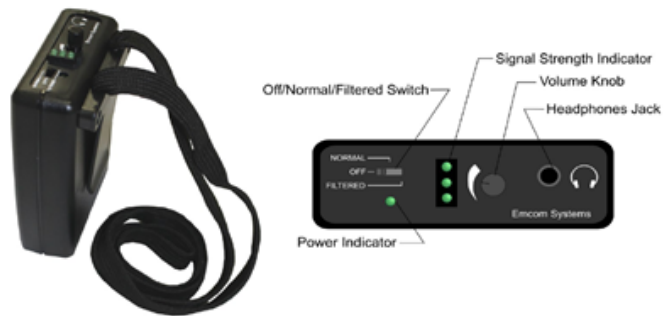
TH1 Induction Loop Listener

The TH1 Trans Hearing Listener is a battery-powered, portable, receiver that allows the user to listen to an Audio Frequency Induction Loop System using a standard pair of stereo headphones. The lightweight and compact TH1 is small enough to be worn in a shirt or jacket pocket. It can also be worn on a belt using the attached belt clip or around the neck using the attached lanyard.

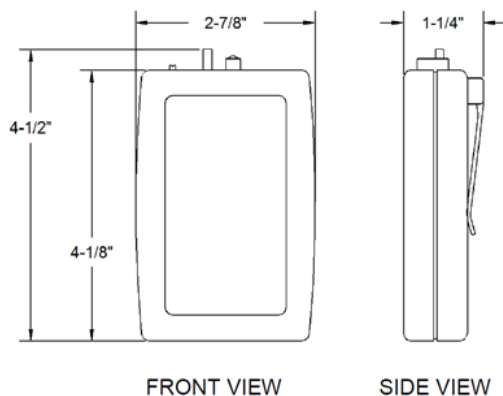
The TH1 features a standard 3.5 mm jack for headphones, a volume control, and two switch-selected audio modes: one for normal environments and another that filters out low end interference. A 3-LED meter continuously displays the strength of the induction loop signal. Turned on by selecting an audio mode and by plugging in the headset. This feature allows the headset to remain plugged in when the unit is not in use.

Advantages

- Powered by two AA batteries
- Greater than 100 Operating Hours
- Belt Clip and Lanyard
- Lightweight
- Input Signal Indicator is referenced to IEC 60118-4



Dimensions



Specifications

| | |
|-----------------|---|
| Size: | 4.5" H x 3.0" W x 1.25" D |
| Weight: | 5.5 oz. including batteries |
| Op. Temp: | -20° C to +50° C |
| Power: | Two AA Batteries |
| Freq. Response: | Normal 50Hz - 8KHz Filtered 100Hz-8KHz |